

**zehnder**

always the  
best climate

# Zehnder Vitalo Spa

Product data sheet



Inspired by nature. Zehnder Vitalo Spa sets standards through its organic shape, innovative technology and energy efficiency. One or two cut-outs, depending on the height, help to heat both hand and bath towels. Beautiful and practical all at once. Available in almost any colour and finish from the Zehnder colour chart. Also in natural anodised aluminium.

## Benefits

- Innovative technology guarantees efficient heating
- Extremely flat design creates an aesthetic accent
- Low total weight facilitates transport and installation
- Striking shape, distinctive design
- Cut-outs for hanging and heating towels
- Smooth surface makes for easy cleaning
- Short response time means rooms can be heated up rapidly

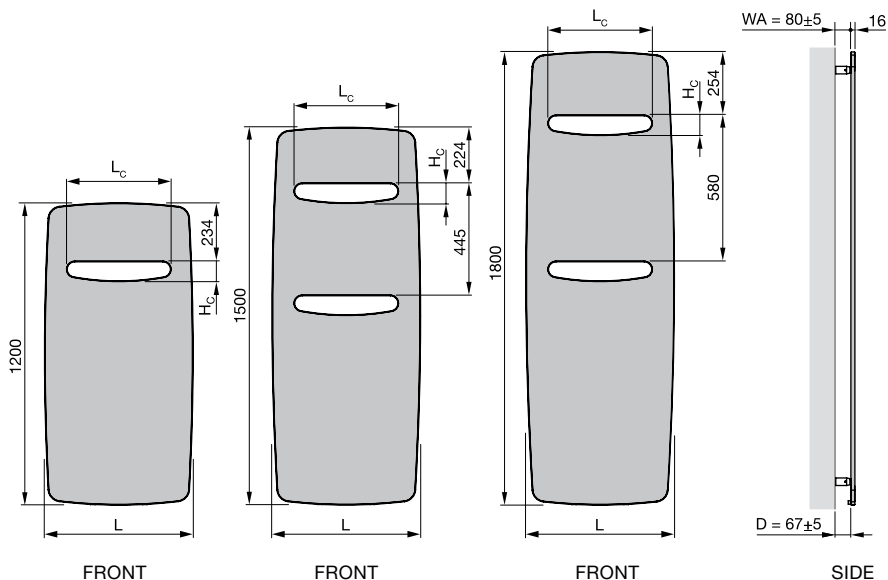
## Special benefits for hot water operation

- Hidden connection technology and easy installation owing to optional Zehnder EasyFit connection box

## Special benefits for electric operation

- Control device can be positioned as required
- Pleasant indoor climate through demand-controlled room control
- Customisable daily and weekly programmes for convenient, on-demand operation
- Comes ready-to-plug for easy and quick installation
- Electric operation provides warm towels and comfortable rooms all year round
- Energy-efficient and comfortable heating with innovative “open window detection”
- High energy efficiency due to compliance with the European Ecodesign Directive reduces energy costs
- Low energy consumption of only 0.5 W in stand-by mode for increased energy efficiency
- User-friendly control device allows simple operation
- Increased safety with keylock
- Flexible control options: control device for wall mounting or base
- Timer function for on-demand operation
- Aesthetically appealing design due to concealed electric heating element

## Model overview



$H_c$  = height of cut-out  
 $L$  = length  
 $L_c$  = length of cut-out  
 $D$  = distance from wall to middle of connection  
 $WA$  = wall clearance

Dimensions in mm

## Connection to hot water central heating system

Painted version, central connection 50 mm

| Model                     | H<br>mm | L<br>mm | $H_c^{1)}$<br>mm | $L_c^{1)}$<br>mm | Thermal output                    |                     |                     |                     |
|---------------------------|---------|---------|------------------|------------------|-----------------------------------|---------------------|---------------------|---------------------|
|                           |         |         |                  |                  | 75/65/20 °C <sup>2)</sup><br>Watt | 70/55/24 °C<br>Watt | 55/45/24 °C<br>Watt | 55/45/20 °C<br>Watt |
| <b>With towel cut-out</b> |         |         |                  |                  |                                   |                     |                     |                     |
| VIT-120-050               | 1200    | 490     | 69               | 330              | 483                               | 353                 | 220                 | 262                 |
| VIT-150-050               | 1500    | 490     | 69               | 330              | 605                               | 440                 | 272                 | 324                 |
| VIT-180-050               | 1800    | 490     | 69               | 330              | 714                               | 522                 | 326                 | 387                 |
| VIT-120-060               | 1200    | 590     | 76               | 410              | 595                               | 431                 | 266                 | 317                 |
| VIT-150-060               | 1500    | 590     | 76               | 410              | 703                               | 512                 | 319                 | 379                 |
| VIT-180-060               | 1800    | 590     | 76               | 410              | 869                               | 633                 | 394                 | 468                 |
| VIT-180-070               | 1800    | 690     | 85               | 495              | 1036                              | 751                 | 463                 | 553                 |

Painted version, Zehnder EasyFit connection box

| Model                     | H<br>mm | L<br>mm | $H_c^{1)}$<br>mm | $L_c^{1)}$<br>mm | Thermal output                    |                     |                     |                     |
|---------------------------|---------|---------|------------------|------------------|-----------------------------------|---------------------|---------------------|---------------------|
|                           |         |         |                  |                  | 75/65/20 °C <sup>2)</sup><br>Watt | 70/55/24 °C<br>Watt | 55/45/24 °C<br>Watt | 55/45/20 °C<br>Watt |
| <b>With towel cut-out</b> |         |         |                  |                  |                                   |                     |                     |                     |
| VITK-120-050              | 1225    | 490     | 69               | 330              | 483                               | 353                 | 220                 | 262                 |
| VITK-150-050              | 1525    | 490     | 69               | 330              | 605                               | 440                 | 272                 | 324                 |
| VITK-180-050              | 1825    | 490     | 69               | 330              | 714                               | 522                 | 326                 | 387                 |
| VITK-120-060              | 1225    | 590     | 76               | 410              | 595                               | 431                 | 266                 | 317                 |
| VITK-150-060              | 1525    | 590     | 76               | 410              | 703                               | 512                 | 319                 | 379                 |
| VITK-180-060              | 1825    | 590     | 76               | 410              | 869                               | 633                 | 394                 | 468                 |
| VITK-180-070              | 1825    | 690     | 85               | 495              | 1036                              | 751                 | 463                 | 553                 |

## Electric-only operation

Painted version

| Model                     | H<br>mm | L<br>mm | $H_c^{1)}$<br>mm | $L_c^{1)}$<br>mm | Output electric<br>Watt |
|---------------------------|---------|---------|------------------|------------------|-------------------------|
| <b>With towel cut-out</b> |         |         |                  |                  |                         |
| VITE-150-050/GD           | 1500    | 490     | 69               | 330              | 500                     |
| VITE-180-050/GD           | 1800    | 490     | 69               | 330              | 750                     |
| VITE-150-060/GD           | 1500    | 590     | 76               | 410              | 750                     |
| VITE-180-060/GD           | 1800    | 590     | 76               | 410              | 750                     |
| VITE-180-070/GD           | 1800    | 690     | 85               | 495              | 1000                    |

H = height, L = length,  $H_c$  = height of cut-out,  $L_c$  = length of cut-out

1) Number of cut-outs: 1 x for H = 1200 mm, 2 x for H = 1500 and 1800 mm

2) Nominal heat output according to EN 442

# Zehnder Vitalo Spa

Anodised aluminium version

| Model                     | H<br>mm | L<br>mm | H <sub>c</sub> <sup>1)</sup><br>mm | L <sub>c</sub> <sup>1)</sup><br>mm | Output electric<br>Watt |
|---------------------------|---------|---------|------------------------------------|------------------------------------|-------------------------|
| <b>With towel cut-out</b> |         |         |                                    |                                    |                         |
| VITES-150-50/GD           | 1500    | 490     | 69                                 | 330                                | 500                     |
| VITES-180-50/GD           | 1800    | 490     | 69                                 | 330                                | 750                     |
| VITES-150-60/GD           | 1500    | 590     | 76                                 | 410                                | 750                     |
| VITES-180-60/GD           | 1800    | 590     | 76                                 | 410                                | 750                     |
| VITES-180-70/GD           | 1800    | 690     | 85                                 | 495                                | 1000                    |

H = height, L = length, H<sub>c</sub> = height of cut-out, L<sub>c</sub> = length of cut-out

1) Number of cut-outs: 1 x for H = 1200 mm, 2 x for H = 1500 and 1800 mm

2) Nominal heat output according to EN 442

Zehnder Group Deutschland GmbH · Sales International · Almweg 34 · 77933 Lahr · Germany

T +49 7821 586-392 · F +49 7821 586-406 · sales.international@zehndergroup.com · www.international.zehnder-systems.com

**zehnder**

V20210601, RAD\_DAS, SI\_en, subject to change without notice